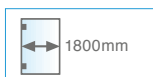


## BZ03



• Kit Hip-zac per box doccia in nicchia da 1200 a 1800mm. Sezione tonda.

• Kit Hip-zac para box ducha de nicho desde 1200 a 1800mm. Sección redonda.

• Hip Zac niche kit 1200-1800mm. Round section.

• Schiebetürsystem Hip Zac für Nische 1200-1800mm. Rundschnitt.

• Kit Hip-zac pour cabine de douche en niche de 1200 à 1800mm. Section ronde.

### HIP-ZAC system

## BZ03K composto da / composed of



2 x BZ10



1 x BZ51



2 x BZ90



1 x BZ60



1 x BZ30



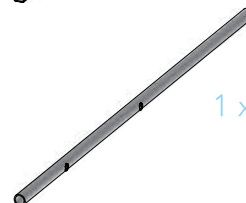
2 x BZ70

+

## BZ0K43 composto da / composed of



1 x BZ58



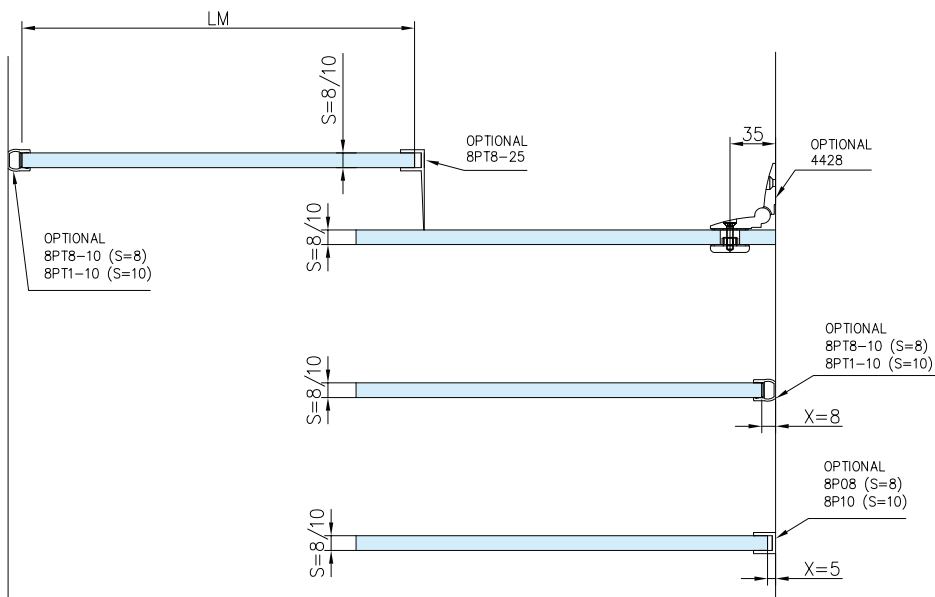
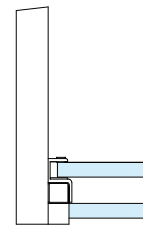
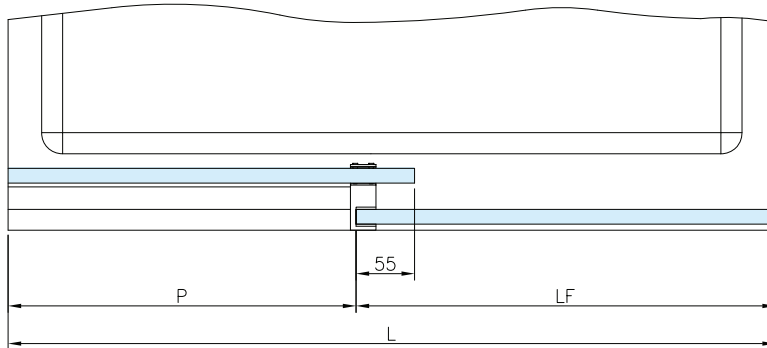
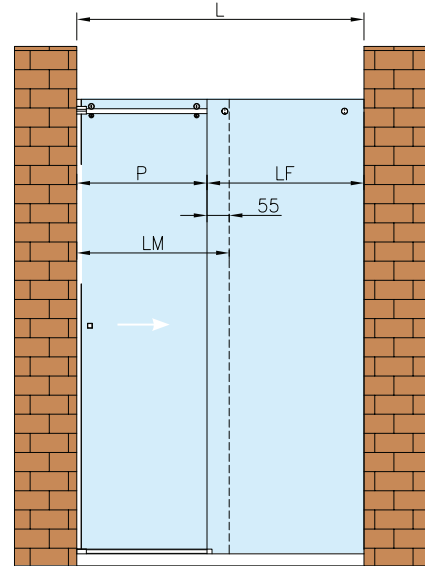
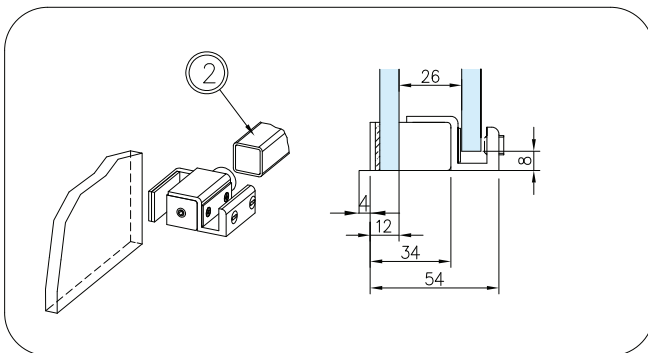
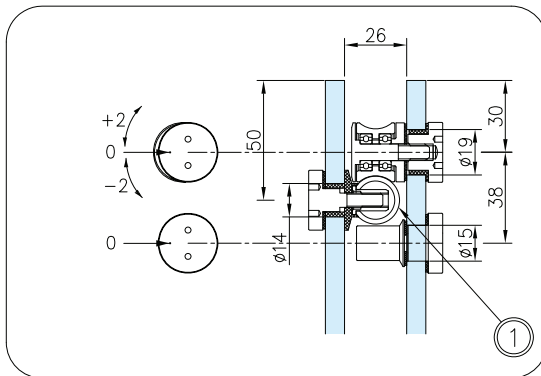
1 x BZ43



# BZ03

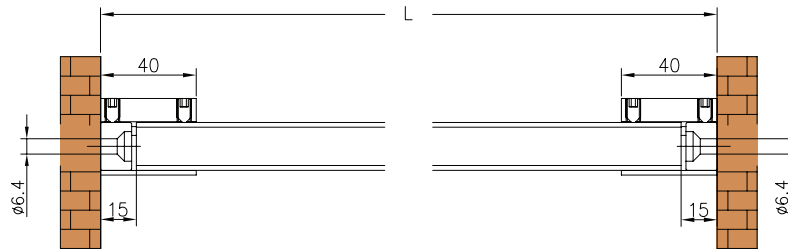
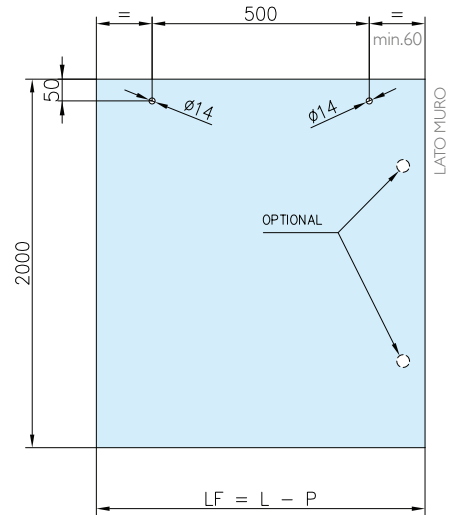
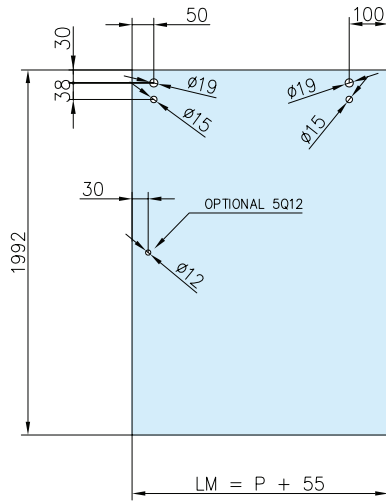
## HIP-ZAC system

DATI (Data)	$L = \text{min } 1200 \div \text{max } 1800$	(mm)
DEFINIRE (Define)	$P = \text{min } 450 \div \text{max } (L/2-55)$	(mm)
CALCOLARE (Calculate)	$LM = (P+55)$	(mm)
CALCOLARE (Calculate)	$LF = (L-P)$	(mm)



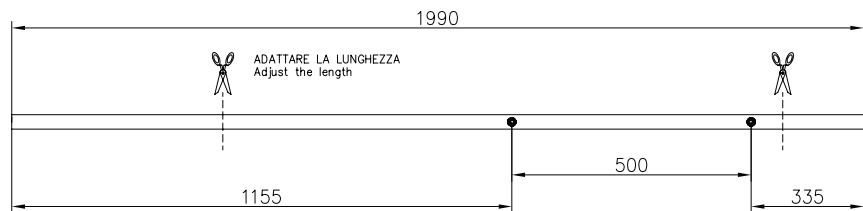
BZ03

HIP-ZAC system



①

D.20x1.5



②

20x20x1.5

