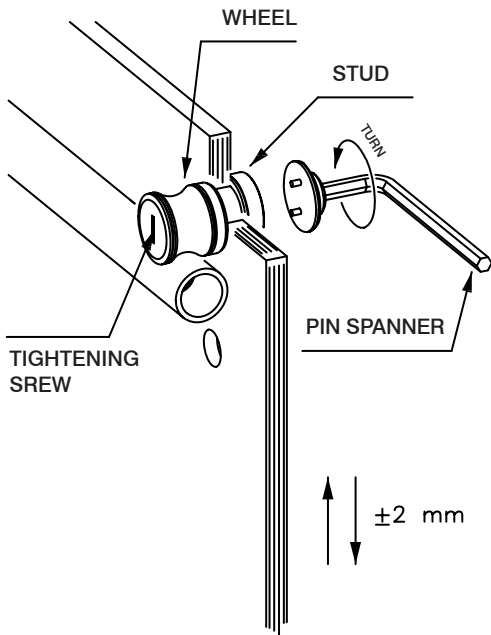


## BZ10 - WHEEL SET

### 1- ADJUSTMENT OF THE BUBBLE LEVEL SYSTEM GLAZING

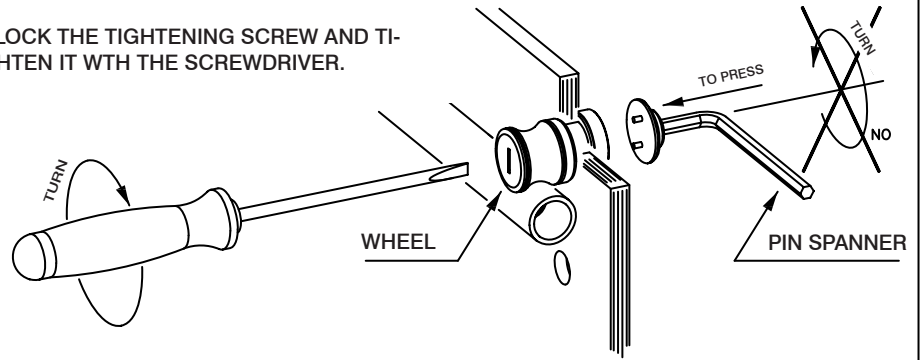


OPERATE ON THE ECCENTRIC STUD AND WITH THE PIN SPANNER, TURN AND ADJUST THE BUBBLE LEVEL SYSTEM GLAZING.

BLOCK THE TIGHTENING SCREW AS DETAIL "A".

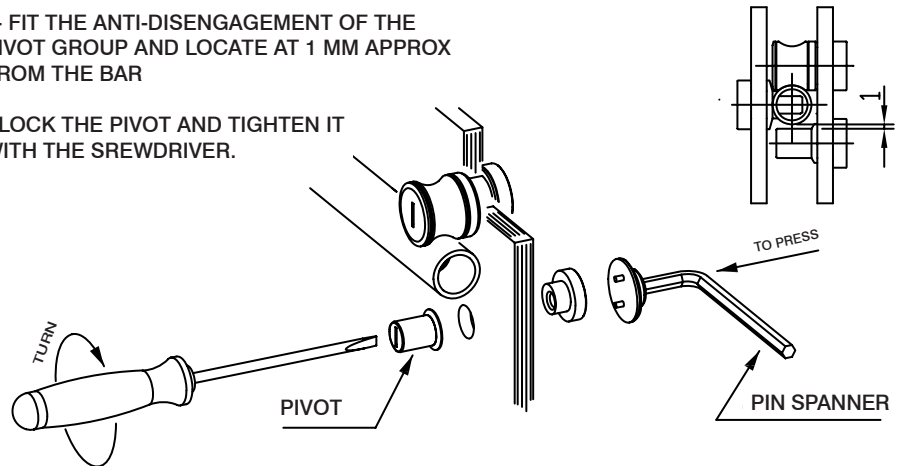
### 2- DETAIL "A" HOLD THE ECCENTRIC STUD WITH THE PIN SPANNER.

BLOCK THE TIGHTENING SCREW AND TIGHTEN IT WITH THE SCREWDRIVER.



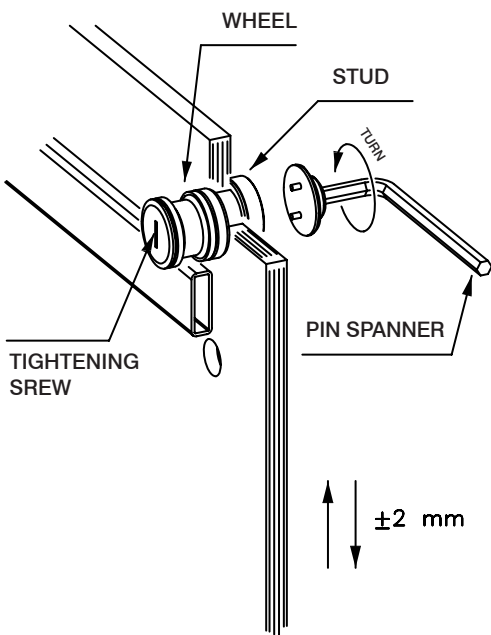
### 2- FIT THE ANTI-DISENGAGEMENT OF THE PIVOT GROUP AND LOCATE AT 1 MM APPROX FROM THE BAR

BLOCK THE PIVOT AND TIGHTEN IT WITH THE SCREWDRIVER.



## BZ10Q - WHEEL SET

### 1- ADJUSTMENT OF THE BUBBLE LEVEL SYSTEM GLAZING

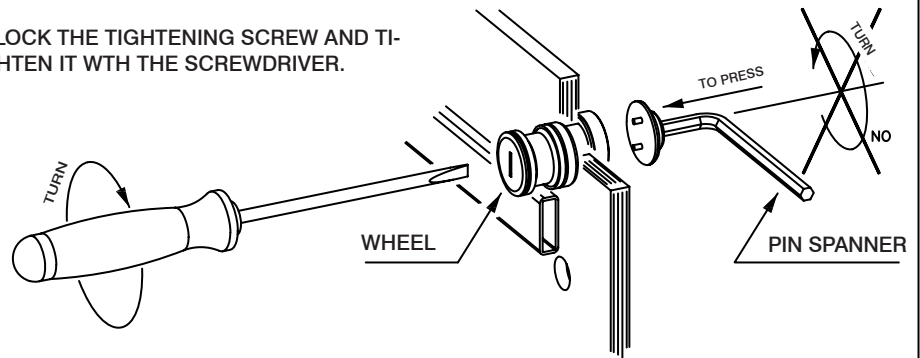


OPERATE ON THE ECCENTRIC STUD AND WITH THE PIN SPANNER, TURN AND ADJUST THE BUBBLE LEVEL SYSTEM GLAZING.

BLOCK THE TIGHTENING SCREW AS DETAIL "A".

### 2- DETAIL "A" HOLD THE ECCENTRIC STUD WITH THE PIN SPANNER.

BLOCK THE TIGHTENING SCREW AND TIGHTEN IT WITH THE SCREWDRIVER.



### 2- FIT THE ANTI-DISENGAGEMENT OF THE PIVOT GROUP AND LOCATE AT 1 MM APPROX FROM THE BAR

BLOCK THE PIVOT AND TIGHTEN IT WITH THE SCREWDRIVER.

